

1

2

3

4

5

6

A

A

B

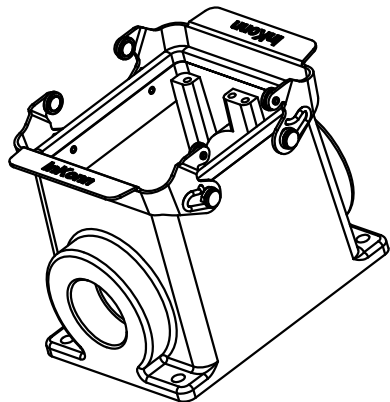
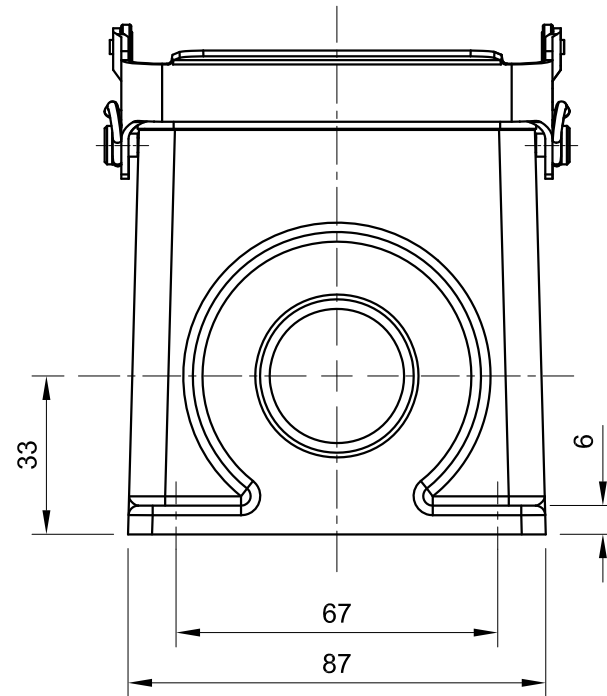
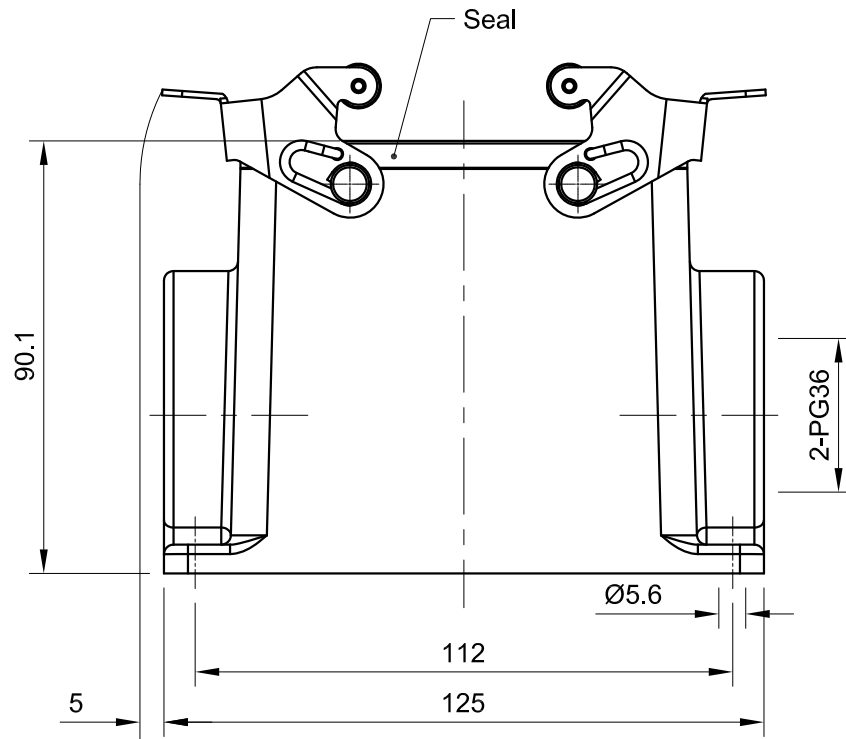
B



C

C

D

D



 All Dimensions in mm Original Size DIN A4	Date 2020-03-24	Drawing No. TC9010085	Rev. A00	Scale 1:1.5
	 InKonn® InKonn (Suzhou) Electric Technology Co.,Ltd.	Part No. 10 11 832 1661	Created by Shuxu Huang	Checked by Yiyi Luo
Type Name HB32-HSM-DL/S-2PG36				

1

2

3

4

5

6